





**Design for harsh industrial environments  
stable and reliable**

- ✓ Industrial Level 4
- ✓ IP40 protection
- ✓ CE,FCC certificated
- ✓ Anti-EMI



**10/100/1000M Unmanaged Industrial PoE Switch**

**LV-FYFP208G**

Introduction	Image
<p>This unmanaged PoE Industrial Ethernet Switch is designed for critical industrial application, with reliable and simple operation against vibration and shock and other disturbances. It is classified as power source equipment (PSE) and provides up to 30W of power per PoE ports, eliminates the need of additional wiring.</p> <p>With the wide temperature range for operation, this switch meets the requirements of reliability and practicality of network in different kinds of industrial environments.</p>	 

Features & Benefits
8 IEEE 802.3af/at PoE compliance 10/100/1000Base-T(X) ports and 2 1000Base-SX/LX/LH/ZX port
Up to 30W at 48V DC power output on each PoE port
Super lightning protection, IP40 protection
Excellent heat elimination without cooling fan
Redundant dual DC power inputs
-40°C to +85°C operating temperature range

Switch Properties
MAC Table Size: 8K
Packet Buffer Size: 1Mbit
Processing Type: Store and Forward
Exchange Properties: 1488000pps (1000M)



**Design for harsh industrial environments  
stable and reliable**

- ✓ Industrial Level 4
- ✓ IP40 protection
- ✓ CE,FCC certificated
- ✓ Anti-EMI



Physical Characteristics
Housing: Aluminum Alloy material with IP40 Protection
Dimension: 138mm(L) X 112mm(W) X 60mm(H)
Weight: 640g
Installation: Din-Rail mounting, Wall mounting

Interfaces
8 RJ45 Ports Comply with IEEE802.3, IEEE802.3u, IEEE802.3af/at PoE, 10/100/1000Base-T(X) auto negotiation speed Full/Half duplex mode Auto MDI-MDI-X connection Up to 100M Cat-5 transmission distance
2 Fiber Port Comply with IEEE802.3u, 100Base-SX/LX/LH/ZX Rate: 1000Mbps Wavelength: 850nm/1310nm/1550nm Up to 2Km transmission distance with multi-mode Up to 20Km,40Km,60Km,80Km transmission distance with single-mode SC/LC interfaces optional

Power
Input Voltage: 48V DC(44-57VDC), Redundant dual inputs
Input Current: <0.5A @48VDC
Overload Current Protection: Present
Reverse Polarity Protection: Present
Redundant Protection: Present
Connection: 1 removable 6-pin terminal blocks



**Design for harsh industrial environments  
stable and reliable**

- ✓ Industrial Level 4
- ✓ IP40 protection
- ✓ CE, FCC certificated
- ✓ Anti-EMI

Environmental Limits
Operating Temperature: -40°C to +85°C
Storage Temperature: -40°C to +85°C
Ambient Relative Humidity: 5% to 95% (non-condensing)

Standard
Safety: UL 60950-1
EMS: EN61000-4-2 (ESD), Level 3 EN61000-4-3 (RS), Level 3 EN61000-4-4 (EFT), Level 3 EN61000-4-5 (Surge), Level 3 EN61000-4-6 (CS), Level 3 EN61000-4-8, Level 3
Shock: IEC 60068-2-27
Free Fall: IEC 60068-2-32
Vibration: IEC 60068-2-6
EMI: FCC Part 15 Subpart B Class A, EN 55022 Class A
Industry: IEC61000-6-2
Rail: EN50155, EN50121-4
Traffic: NEMA TS-2



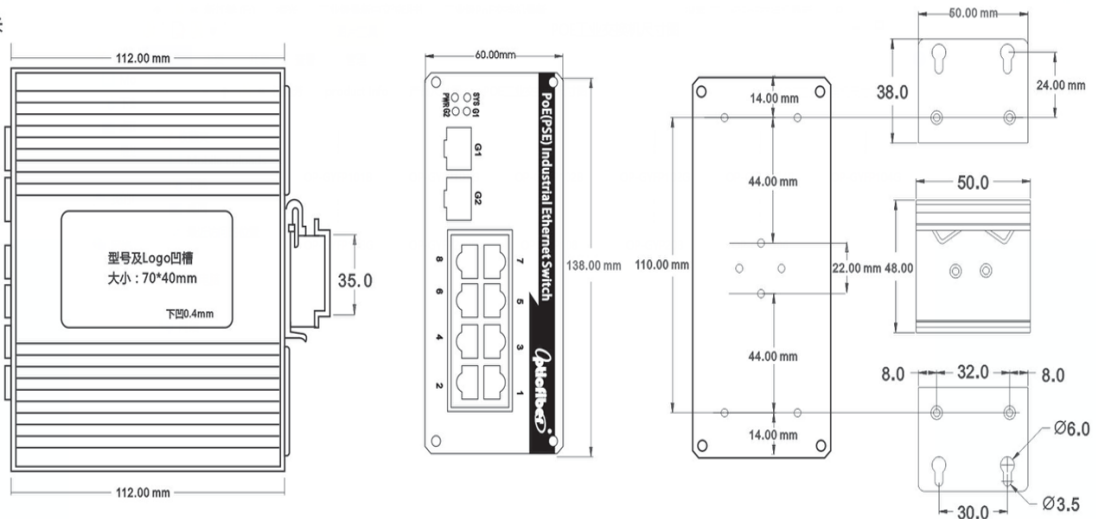
**Design for harsh industrial environments  
 stable and reliable**

- ✓ Industrial Level 4
- ✓ IP40 protection
- ✓ CE,FCC certificated
- ✓ Anti-EMI

<b>Warranty</b>
5 years

**Dimension**

单位:毫米



Models Available	
Model No	Description
LV-FYFP208G	2*1000M SFP Slot and 8*10/100/1000M PoE Port